

Name: _____

Date: _____

Day 2- Students will be able to apply their understanding of finding the volume of rectilinear solids to complete a project that resembles a real world situation.

Key Information:

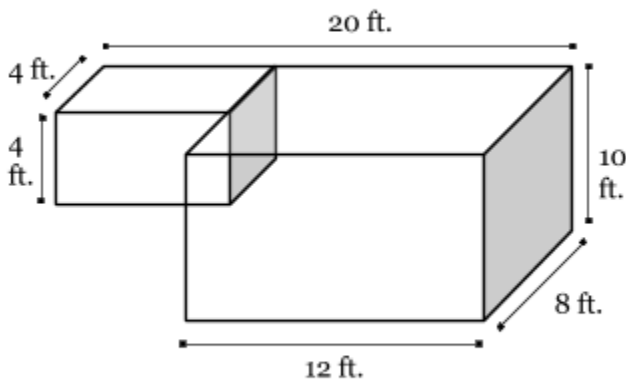
- You send your sketch of your perfect therapy pool to a couple different companies.
- Paul's Perfect Pools and Born to Swim both send you a plan for your perfect therapy pool, along with the price it will cost you for them to build and install the pool at your physical therapy center.

Using the figures below complete the following tasks:

1. Consider both plans for your therapy pool.
2. Determine the total volume of each pool.
3. Decide which pool is the best price for its size, based on the cost **per cubic foot**.

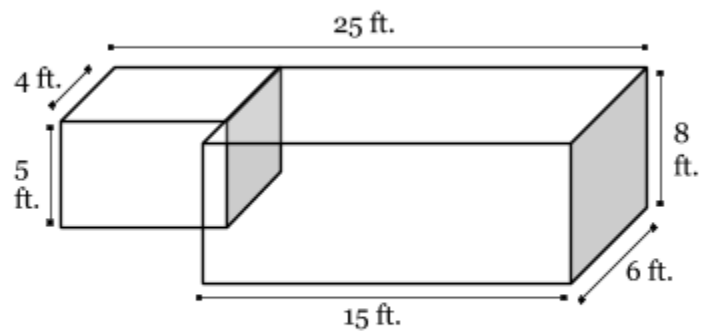
You must show all your work.

Paul's Perfect Pools



Price: \$26,112

Born to Swim



Price: \$26,840